

# STALWART II

## ANTI-RAM BARRIER WITH ORNAMENTAL PICKET ACCENT



### BEAUTY AND THE BEAST

The Stalwart II system combines an ornamental fence that compliments its surroundings yet has the fortitude to protect from any vehicular threat. This balance between beauty and brawn is just one of the many perimeter solutions available from Ameristar Fence Products.

### STRENGTH

Stalwart II merges the strongest ornamental picket fence available with the most widely used anti-ram perimeter barrier. A variety of anti-ram design options are available so that each barrier can match its specific stand-off distance.

### ELEGANCE

Stalwart II barriers are balanced with the elegance of ornamental iron fencing. Each ornamental fence can be fitted with an array of design adornments to enhance the appearance of the site.

### SECURITY

The unique design of the Stalwart II framework enables the fence system to become a platform for multiple security components.



We take great pride in manufacturing "Made in the USA" products. Ameristar is located in Tulsa, Oklahoma and is American owned and operated.

#### *Applications:*

- Data Centers
- Government Facilities
- Stadiums & Event Centers
- Schools & Universities
- Hospitals
- Water Treatment & Storage
- Power Plants & Substations
- Petroleum & Chemical Facilities

Covered by or for use with one or more of the following U.S. patents: 6,874,767, 7,188,826, 7,651,073, 7,441,751, 7,461,833, 7,475,868, D566292, D572374, D573270

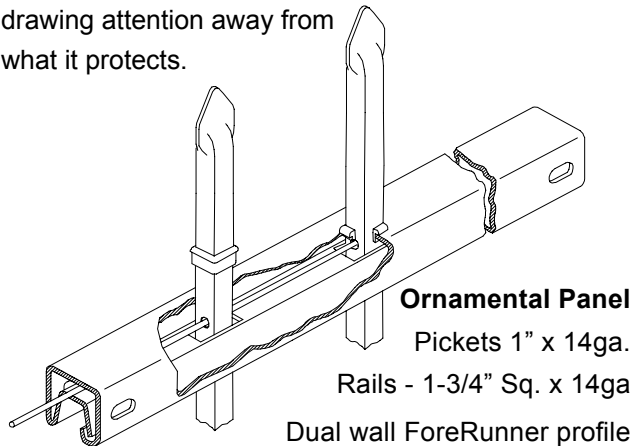


# STALWART II

## ANTI-RAM BARRIER WITH ORNAMENTAL PICKET ACCENT

### STRUCTURE

The architecture of Stalwart II brings together traditional ornamental fencing and vehicle barrier into a single line of fence. The integration of these two systems decreases public awareness of the barrier thus drawing attention away from what it protects.



### Barrier Framework

I-beams - 2-3/4" X 3" X 11 ga. OR 2-3/4" x 4" x 11 ga.  
Rails - 2-1/8" x 2-1/8" x 12ga.

### RATINGS

Stalwart II anti-ram rating designations

- M50 (K12) • PU60
- M40 (K8) • PU50
- M30 (K4)

### COATING & WARRANTY

Stalwart II is coated using Ameristar's PermaCoat process; this dual-coat finish yields the best results for durability and weathering in the fence industry. Ameristar has over 25 years of experience in coatings, granting Stalwart II systems a 15 year warranty.



Stalwart II is produced using up to 96% post-industrial recycled steel.

### DESIGNATIONS

Stalwart II has multiple anti-ram ratings engineered and tested to ASTM F2656 standards. Ameristar offers several rating options so that each site can be designed for the appropriate stand-off distance from the asset.

### INTEGRATION

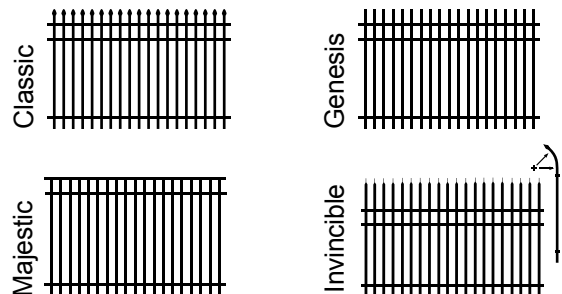
Stalwart II framework is a raceway for wiring, conduits, and/or security cabling required around the perimeter of a project.

*Stalwart II framework is a platform for security components:*



*Communication & Video cables  
IDS / Fiber Optic Cables  
Access Control Wiring  
Conduits  
Anti-ram Cabling*

### STYLES



Item No. 9799 / Effective: 10/2011